

PROTECT**PLUS** M400

PROTECT **FLEX**

Extra Charger Module (15 A)

User Manual

AEG Power Solutions GmbH, Warstein-Belecke

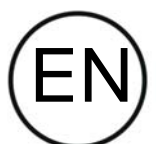
Department: PS R&D

Status: 00

Author: 01/12/2017 / Schenuit

Checked: 01/12/2017 / Nalbone

Document no. 8000065636 BAL, en



Contents

1.	Foreword	3
2.	Technical Specification	4
3.	Installation	5
4.	ON and OFF operations	5
5.	Display and Operation.....	6

1. Foreword

The 15 A Extra charger module can be used with Protect Plus M400 and Protect Flex modular UPS series based on 10 and 15 kVA / kW power modules. The extra charger module 15 A has the same look and dimensions of the 10 kVA power module for Protect Plus M400 and Protect Flex.

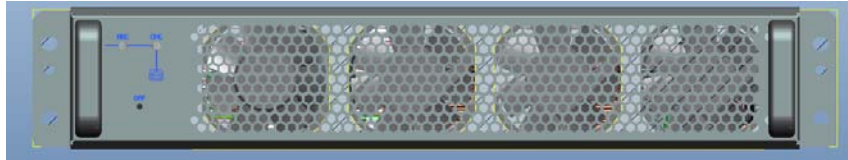


Figure 1 – Front panel of charger module. 2U height.

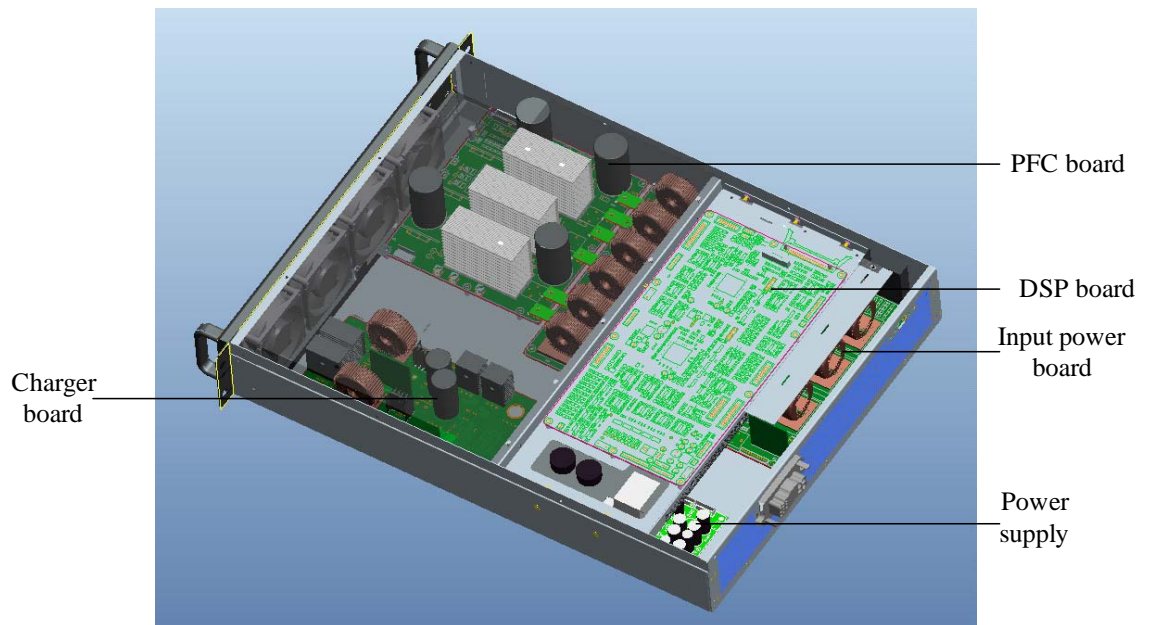


Figure 2 - Internal view of charger module.

2. Technical Specification

Extra Charger Module (15 A) for Protect Plus M400 / Protect Flex	
Input voltage	380 / 400 / 415 Vac Settable also as one phase 220 / 230 / 240 Vac
Input voltage tolerance	± 20%
Input frequency	50 Hz
Floating charging voltage	Default: 2,25 V/cell Settable: 2,1 to 2,35 V/Cell
Boost charge voltage	Settable: 2,2 to 2,45 V/Cell Default: 2.25 V/cell
Number of battery blocks per string	Settable: 32 to 44 blocks (12 V each) = 192 to 264 cells (2 V each) Default: 40 blocks (12 V each) = 240 cells (2 V each)
Charging current	Maximum value: 15 A
Functions available	Battery Temp. Compensation (when connected to the proper sensor) 4 steps charges
Size (W x D x H)	438 x 590 x 58 (2U) mm
Net Weight	10 kg

Table 1 – Technical Specification of Extra Charger Module (15 A)

3. Installation

1. Make sure that the UPS system (Protect Plus M400 or Protect Flex) is installed;
2. Insert the Extra Charger Module into the UPS cabinet;
3. Fasten and fix the Extra charger module to UPS cabinet.

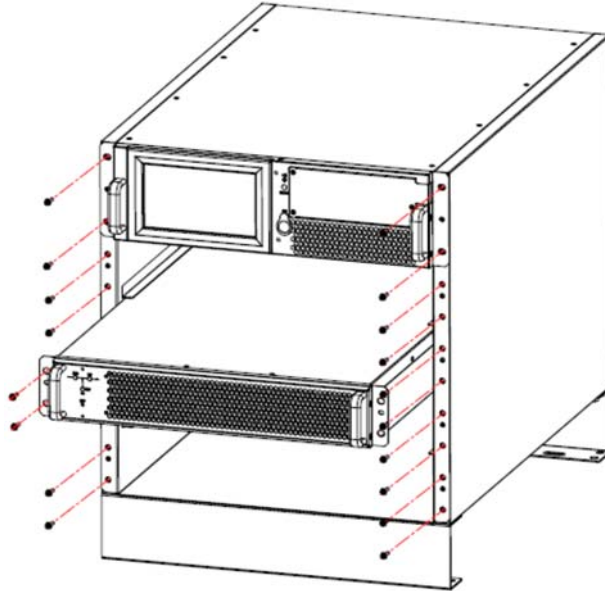


Figure 2 - How to fix and install the Extra charger module

4. ON and OFF operations

To turn on:

1. Switch on input power of UPS, the charger module will start on automatically;
2. The LED indicators "REC" and "CHG" on the front of charger module will be green.

To turn off:

1. Press "OFF" button on the front of charger module;
2. Remove the Extra Charger Module.

5. Display and Operation

Once the Extra Charger Module is detected by the UPS system, the user can set it and check parameters on LCD as shown below.

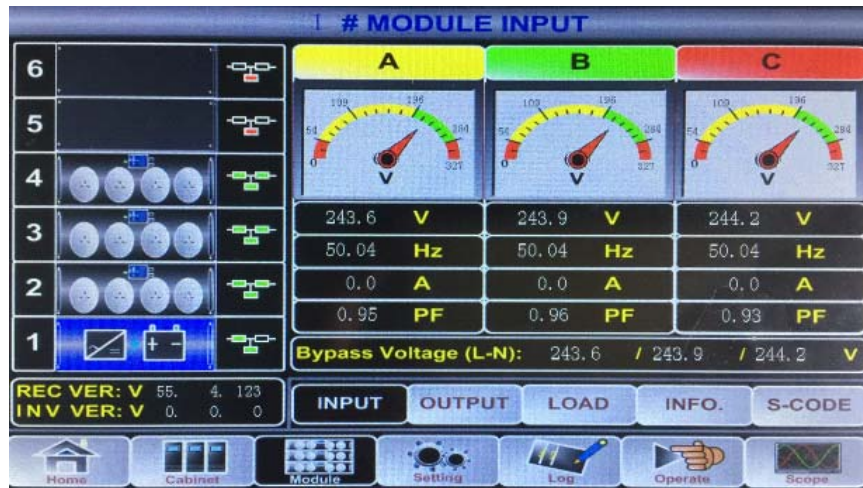


Figure 3 – LCD Display (of the UPS system)

The charger current can be set via LCD:

Setting -> BATTERY -> Charger Module Current Limit (Option)

then set the current as needed.